

Please read the following instructions before operating your sharpener.

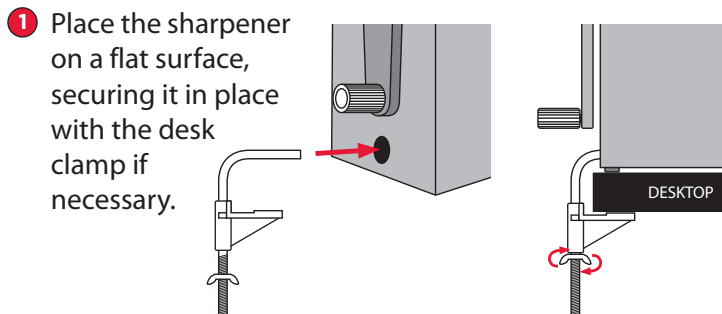


- To be used under adult supervision only.
- Suitable for standard 8mm diameter pencils only.

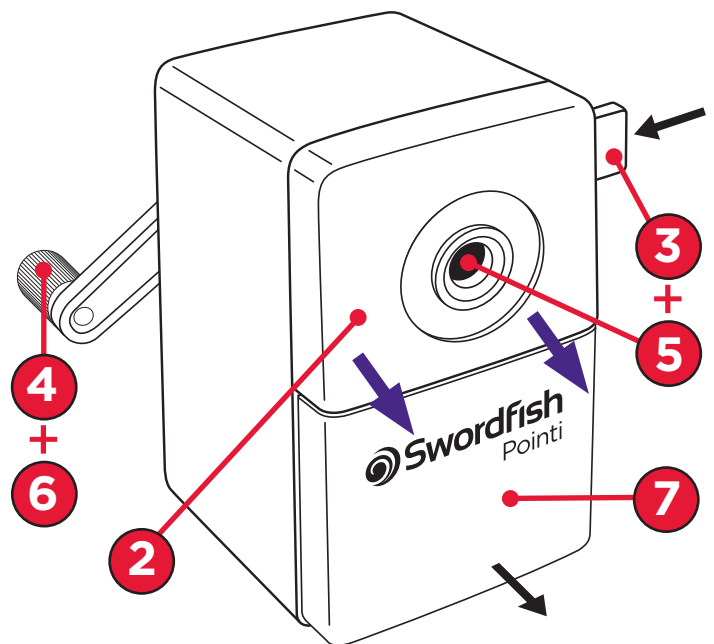
Model	Product Code	Compatible Pencil Size(s)
Pointi	40235	8mm

Pointi Mechanical Pencil Sharpener

Operating Instructions



- 2 Pull the front plate out until it locks into position.
- 3 Push the button in and insert the pencil.
- 4 Turn the handle **clockwise** to sharpen the pencil. The auto-stop feature will stop sharpening the pencil when it is sharp.
- 5 Push the button in and remove the pencil.
- 6 Turn the handle clockwise to retract the front plate.
- 7 Empty the shavings tray when necessary by sliding it out from the main sharpener unit.



Cleaning

Regular cleaning will ensure that your sharpener operates efficiently.

- Use a small brush (e.g. paintbrush or toothbrush) to clean the cutting blade. Never use metal objects as this may damage the cutting blade.
- The shavings tray can be removed and cleaned with water only. Never use solvents such as alcohol or thinner.

Coloured Pencils

- Sharpening coloured pencils causes wax to build up on the sharpener blade.
- We recommend alternating between coloured and graphite pencils as graphite will help to clean the blade.
- If excessive build up occurs then clean the blade as per the instructions above.